

# CROWN PLANA MINOR

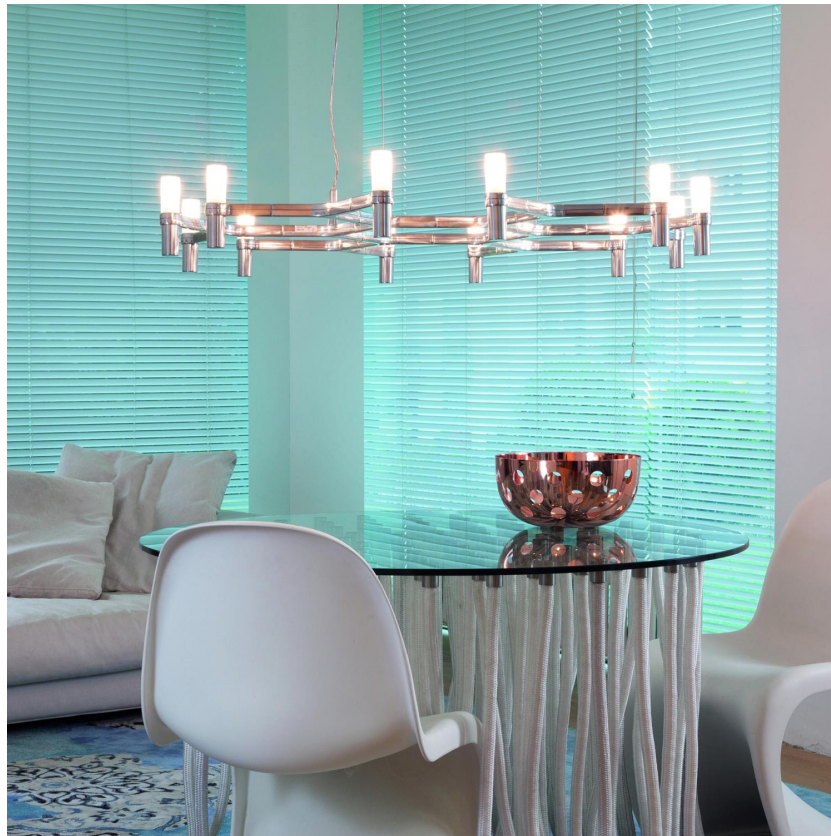
Jehs + Laub

CODE#

TYPE:

PROJECT NAME:

Pendant chandeliers, with modular structure in die-casted aluminium and sandblasted glass diffusers. Structure in aluminium hand polished, glossy gold plated or painted in matt white, matt black or gold. Available a NEMO LED G9 kit. Widespread light. Double switch for the SUMMA version. Transparent cable. Red cable on request.



SPECIFICATION SHEET

**Luminart**<sup>®</sup>

WWW.LUMINARTLIGHTING.COM

# CROWN PLANA MINOR

Jehs + Laub

CODE#

TYPE:

PROJECT NAME:

## HALO/LED

### Lamping

Source	halopin G9 QT-14
Total power	12 x 25W
Emission	diffused
Dimming	dimnable
Voltage	120V
Materials	aluminium + glass



### Codes

L10CRO HLW 55		
L10CRO HWW 55		
L10CRO HNW 55		
L10CRO HGW 55		
L10CRO HOW 55	gold plated	

### Structure



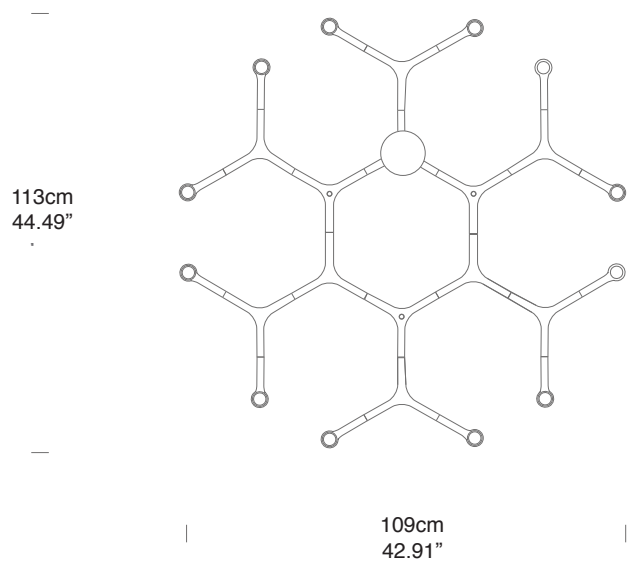
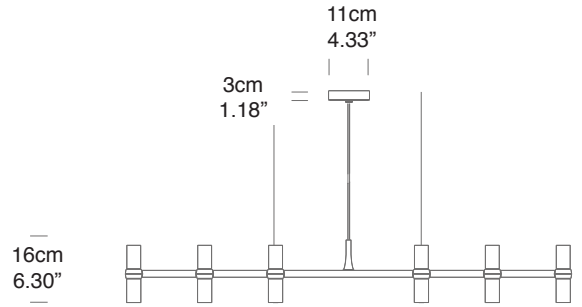
gold plated

### Diffuseur



### Package

LxPxH (base)	120x200x22	(47.24x78.74x8.66")
Weight (base)	18kg	(39.6lbs)



Cable length 2.5m  
98.43"

SPECIFICATION SHEET