

# CROWN PLANA MEGA

Jehs + Laub

**CODE#**

**TYPE:**

**PROJECT NAME:**

---

Pendant chandeliers, with modular structure in die-casted aluminium and sandblasted glass diffusers. Structure in aluminium hand polished, glossy gold plated or painted in matt white, matt black or gold. Available a NEMO LED G9 kit. Widespread light. Double switch for the SUMMA version. Transparent cable. Red cable on request.



SPECIFICATION SHEET

**Luminart®**

WWW.LUMINARTLIGHTING.COM

# CROWN PLANA MEGA

Jehs + Laub

CODE#

TYPE:

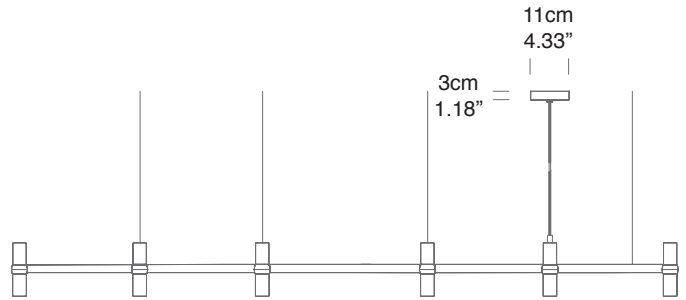
PROJECT NAME:

## HALO/LED

### Lamping

Source	halopin G9 QT-14
Total power	12 x 25W
Emission	diffused
Dimming	dimmable
Voltage	120V
Materials	aluminium + glass

16cm  
6.30"



### Codes

- CRO HLW 57
- CRO HWW 57
- CRO HNW 57
- CRO HGW 57
- CRO HOW 57

### Structure



gold plated

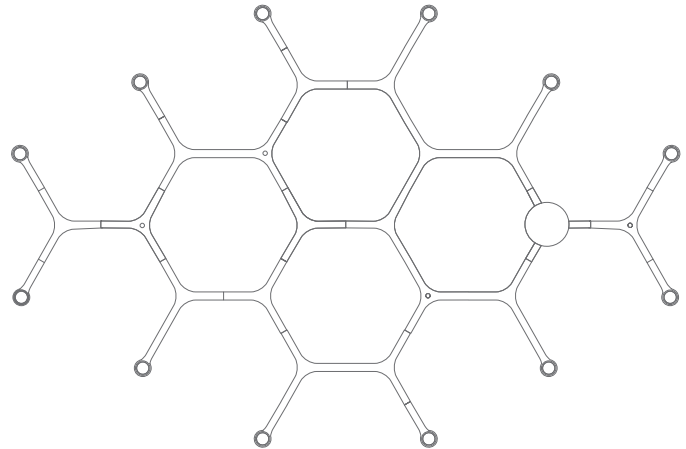
### Diffuseur



### Package

LxPxH (base)	120x200x22	(47.24x78.74x8.66")
Weight (base)	18kg	(39.6lbs)

113cm  
44.49"



172cm  
67.72"

Cable length 2.5m  
98.43"

SPECIFICATION SHEET