

TRU PENDANT

Roberto Paoli

CODE#

TYPE:

PROJECT NAME:

Floor lamp with body in extruded aluminium, heads and base in die-casted aluminium, diffusers in opal and transparent metacrylate. Structure painted in matt white or black. The upright LED source gives an upright warm and diffused flood, while the side LED creates an indirect ambient lighting. Dimmable, double switching on the cable.



SPECIFICATION SHEET

Luminart[®]

WWW.LUMINARTLIGHTING.COM

TRU PENDANT

Roberto Paoli

CODE#

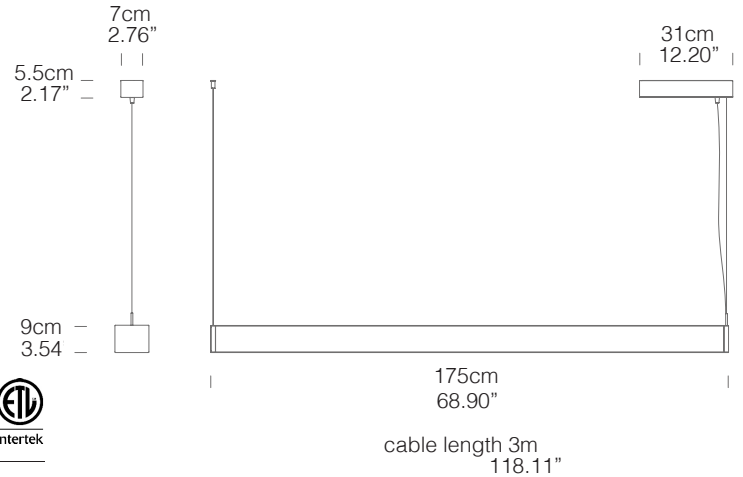
TYPE:

PROJECT NAME:

LED up+down

Lamping

Source	2xlinear LED
Total power	41W + 41W
Emission	up + down
Dimming	triac
Voltage	120V
Color temperature	2987K
Luminous flux	4080lm + 4080lm
Typ cri	83
Energy class	A+
Materials	aluminium + PMMA



Codes

L10TRU LNW 51

L10TRU LWW 51

Structure



Diffuseur



Package

LxPxH (parcel)	28x26x20	(11.02x10.24x7.84")
Weight	8kg	(17.6lbs)
LxPxH (parcel 2)	22x17x191	(8.66x6.69x75.20")
Weight	4kg	(8.8lbs)

TRU PENDANT

Roberto Paoli

CODE#

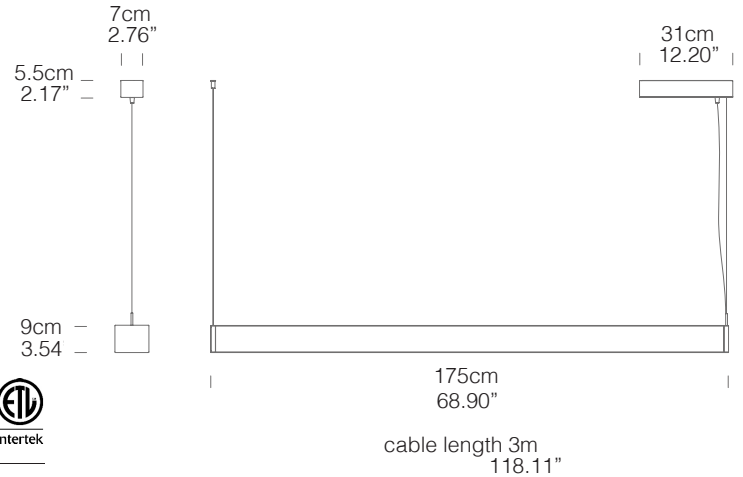
TYPE:

PROJECT NAME:

LED up+up

Lamping

Source	2xlinear LED
Total power	41W + 41W
Emission	up + up
Dimming	triac
Voltage	120V
Color temperature	2987K
Luminous flux	4080lm + 4080lm
Typ cri	83
Energy class	A+
Materials	aluminium + PMMA



Codes

L10TRU LNW 52

L10TRU LWW 52

Structure



Diffuseur



Package

LxPxH (parcel)	28x26x20	(11.02x10.24x7.84")
Weight	8kg	(17.6lbs)
LxPxH (parcel 2)	22x17x191	(8.66x6.69x75.20")
Weight	4kg	(8.8lbs)

SPECIFICATION SHEET

Luminart®

WWW.LUMINARTLIGHTING.COM

TRU PENDANT

Roberto Paoli

CODE#

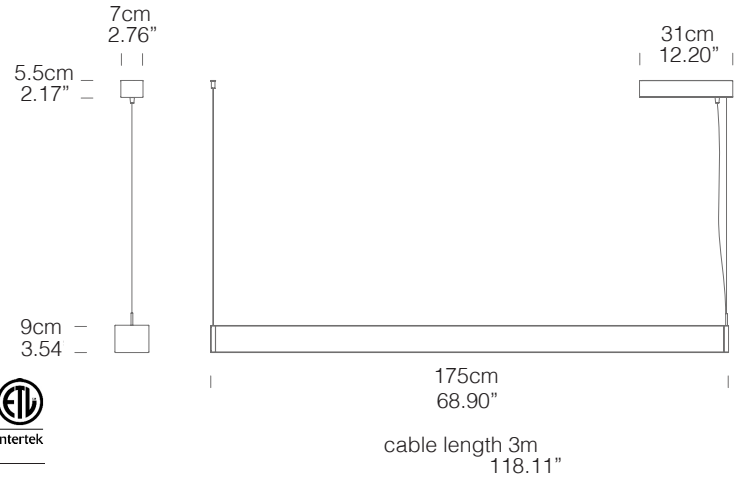
TYPE:

PROJECT NAME:

LED down+down

Lamping

Source	2xlinear LED
Total power	41W + 41W
Emission	up + up
Dimming	triac
Voltage	120V
Color temperature	2987K
Luminous flux	4080lm + 4080lm
Typ cri	83
Energy class	A+
Materials	aluminium + PMMA



Codes

L10TRU LNW 53
L10TRU LWW 53

Structure



Diffuseur



Package

LxPxH (parcel)	28x26x20	(11.02x10.24x7.84")
Weight	8kg	(17.6lbs)
LxPxH (parcel 2)	22x17x191	(8.66x6.69x75.20")
Weight	4kg	(8.8lbs)