

SPIGOLO FLOOR

Studiocharlie

CODE#

TYPE:

PROJECT NAME:

Floor, wall and pendant lamps based on an extruded and tubular aluminium structure, connected with moulded ABS joints, with white or black painted finish. Thanks to the joints, enabling the profiles to house LED sources, one can rotate 360°; in order to produce a directional direct or indirect lighting, screened by an opaline diffuser in polycarbonate. The floor version is designed as such to provide a virtual divider to ambiances, while the ceiling and wall versions allow the enlightenment of the ambience in a versatile and a comfortable way. LED sources are dimmable and with warm tone.



SPECIFICATION SHEET

Luminart[®]

WWW.LUMINARTLIGHTING.COM

SPIGOLO FLOOR

Studiocharlie

CODE#

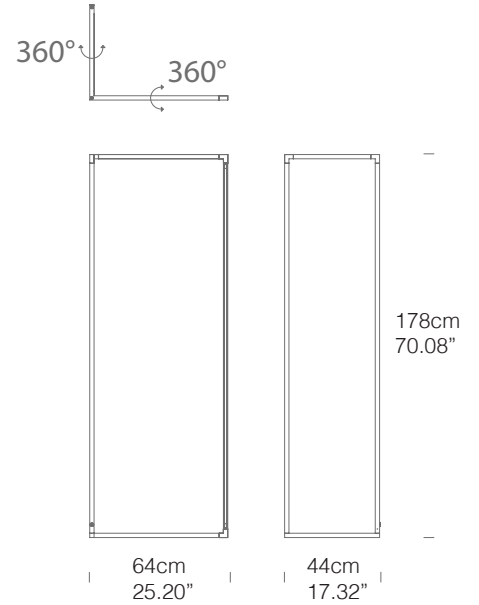
TYPE:

PROJECT NAME:

LED

Lamping

Source	2 x linear LED
Total power	20W
Emission	double, diffused
Dimming	dimnable
Voltage	120V
Color temperature	2987K
Luminous flux	2000lm
Typ cri	83
Energy class	A+
Materials	aluminium + polycarbonate + ABS



Codes

SPI LWW 21

SPI LNN 21

Structure



Diffuseur

SPIGOLO FLOOR

Studiocharlie

CODE#

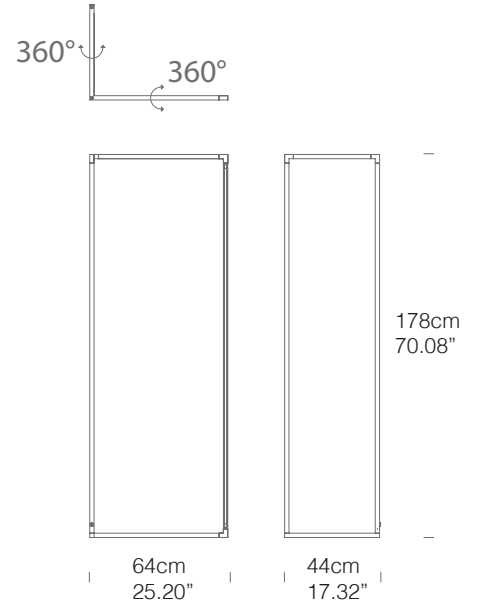
TYPE:

PROJECT NAME:

LED

Lamping

Source	3 x linear LED
Total power	61W
Emission	triple, diffused
Dimming	dimnable
Voltage	120V
Color temperature	2987K
Luminous flux	6100lm
Typ cri	83
Energy class	A+
Ip class	20
Materials	aluminium + polycarbonate + ABS



Codes

SPI LWW 22
SPI LNN 22

Structure



Diffuseur