

# PROJECTEUR 365 WALL CEILING

Le Corbusier

**CODE#**

**TYPE:**

**PROJECT NAME:**

The Projecteur of Le Corbusier was designed for the Chandigarh High Court, India, in 1954. Aluminium body painted in night blue, white sand or moka. Diffuser glass curved and sandblasted in the inner part. Painted body, base and canopies. Screws and small metal parts black chromed. Available in the floor, wall/ceiling and pendant versions. The wall/ceiling and pendant lamps are available also in the outdoor version (IP54).



SPECIFICATION SHEET

**Luminart**<sup>®</sup>

[WWW.LUMINARTLIGHTING.COM](http://WWW.LUMINARTLIGHTING.COM)

# PROJECTEUR 365 WALL CEILING

Le Corbusier

CODE#

TYPE:

PROJECT NAME:

## E27 FLUO/LED/HALO

### Lamping

Source	E27 bulb
Total power	150W
Emission	direct, spot
Dimming	dimmable
Voltage	120V
Ip class	30
Materials	aluminium



### Codes

PRJ EDW 3A  
PRJ EWS 3A  
PRJ EMS 3A

### Structure

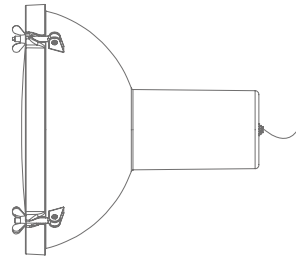
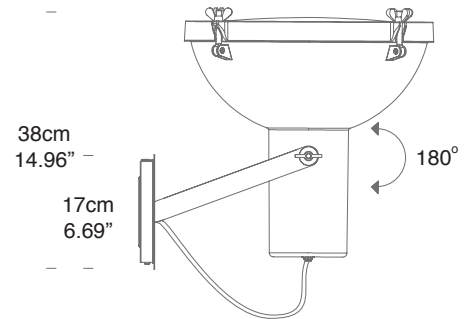


### Diffuseur

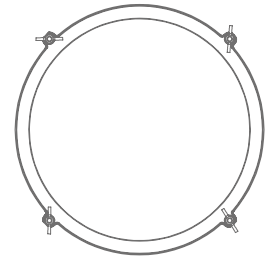


### Package

LxPxH (base)	50x50x50	(19.69x19.69x19.69")
Weight (base)	5kg	(11lbs)



44cm  
17.32"



37cm  
14.57"

# PROJECTEUR 365 WALL CEILING

Le Corbusier

CODE#

TYPE:

PROJECT NAME:

## E27 FLUO/LED/HALO IP54

### Lamping

Source	E27 bulb
Total power	150W
Emission	direct, spot
Dimming	dimmable
Voltage	120V
Ip class	54
Materials	aluminium



### Codes

PRJ EDW 3E  
PRJ EWS 3E  
PRJ EMS 3E

### Structure

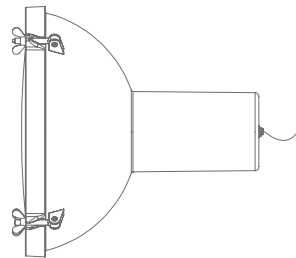
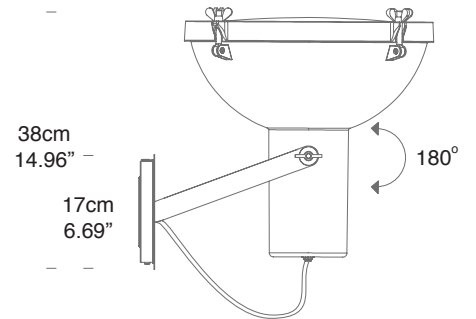


### Diffuseur

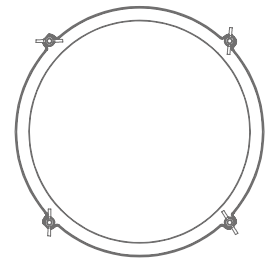


### Package

LxPxH (base)	50x50x50	(19.69x19.69x19.69")
Weight (base)	5kg	(11lbs)



44cm  
17.32"



37cm  
14.57"