

PROJECTEUR 365 PENDANT

Le Corbusier

CODE#

TYPE:

PROJECT NAME:

The Projecteur of Le Corbusier was designed for the Chandigarh High Court, India, in 1954. Aluminium body painted in night blue, white sand or moka. Diffuser glass curved and sandblasted in the inner part. Painted body, base and canopies. Screws and small metal parts black chromed. Available in the floor, wall/ceiling and pendant versions. The wall/ceiling and pendant lamps are available also in the outdoor version (IP54).



SPECIFICATION SHEET

Luminart®

WWW.LUMINARTLIGHTING.COM

PROJECTEUR 365 PENDANT

Le Corbusier

CODE#

TYPE:

PROJECT NAME:

E27 FLUO/LED/HALO

Lamping

Source	E27 bulb
Total power	150W
Emission	direct, spot
Dimming	dimmable
Voltage	120V
Ip class	30
Materials	aluminium



Codes

L10PRJ EDW 51
L10PRJ EWS 51
L10PRJ EMS 51

Structure

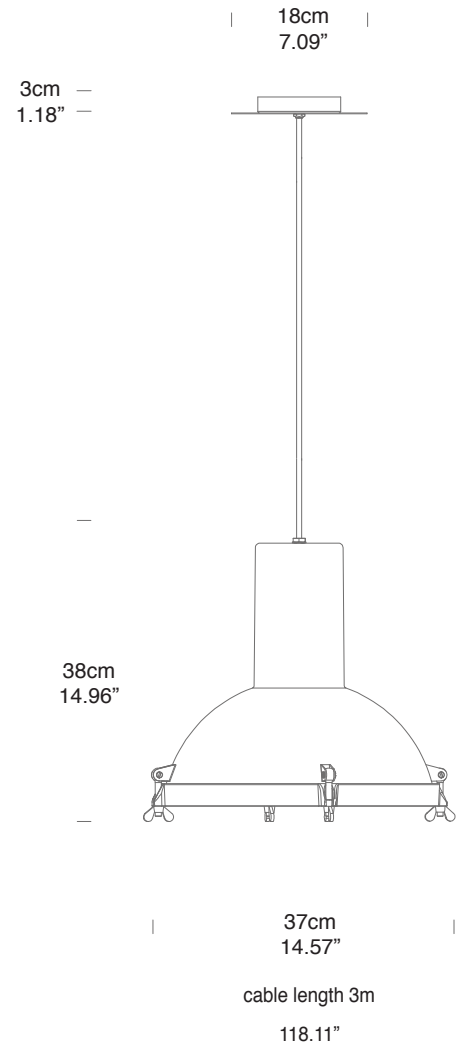


Diffuseur



Package

LxPxH (base)	50x50x50	(19.69x19.69x19.69")
Weight (base)	5kg	(11lbs)



PROJECTEUR 365 PENDANT

Le Corbusier

CODE#

TYPE:

PROJECT NAME:

E27 FLUO/LED/HALO IP54

Lamping

Source	E27 bulb
Total power	150W
Emission	direct, spot
Dimming	dimmable
Voltage	120V
Ip class	54
Materials	aluminium



Codes

L10PRJ EDW 5E
L10PRJ EWS 5E
L10PRJ EMS 5E

Structure



Diffuseur



Package

LxPxH (base)	50x50x50	(19.69x19.69x19.69")
Weight (base)	5kg	(11lbs)

