

LA FENICE

Gabi Peretto

CODE#

TYPE:

PROJECT NAME:

La Fenice has been developed with the aim of researching an always contemporary shape for different types of applications. A square section orientable in virtually endless movements with a system of brass rotational joints. White painted aluminum for the structure, lamp body hand-polished aluminum or powder-coated white finishing. Wall and ceiling fixture. Tempered glass diffuser, with aluminum asymmetric optic.



SPECIFICATION SHEET

Luminart®

WWW.LUMINARTLIGHTING.COM

LA FENICE

Gabi Peretto

CODE#

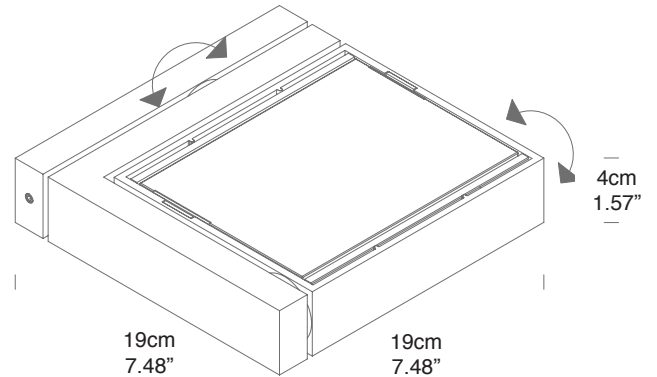
TYPE:

PROJECT NAME:

R7S HALO

Lamping

Source	R7s (75mm)
Total power	150W
Emission	diffused, orientable
Dimming	dimnable TRIAC
Voltage	120V
Dimensions	190x190x40
Materials	Aluminium



Codes

L10FEN HWW 31
L10FEN HWL 31

Structure

white/white
white/polished

Diffuseur

Package

LxPxH (base)	30x30x18	(11.81x11.81x7.09")
Weight (base)	2.4kg	(5.28lbs)

orientable

SPECIFICATION SHEET

Luminart[®]

WWW.LUMINARTLIGHTING.COM