

# JESOLO

**CODE#**

**TYPE:**

**PROJECT NAME:**

---

Wall and ceiling lamp, with opal blown glass diffuser. The glass twists and locks into place. Base in epoxy-coated white metal with chromed ring (Jesolo Twis/Plus), or in white polycarbonate (Jesolo C2/C2 electronic). C2 electronic available with emergency kit. LED version available for diameter 25/30cm.



SPECIFICATION SHEET

# JESOLO

CODE#

TYPE:

PROJECT NAME:

## C2 ELECTRONIC 30 FLUO

### Lamping

|             |                       |
|-------------|-----------------------|
| Source      | G24q-2 TC-TEL         |
| Total power | 2 x 18W               |
| Emission    | diffused              |
| Voltage     | 120V                  |
| Ip class    | 40                    |
| Materials   | polycarbonate + glass |



### Codes

JEE FWW 42

### Structure



### Diffuseur



### Package

|               |          |                     |
|---------------|----------|---------------------|
| LxPxH (base)  | 40x40x20 | (15.75x15.75x7.87") |
| Weight (base) | 4kg      | (8.8lbs)            |

25cm  
9.84"



30cm  
11.81"



37cm  
14.57"



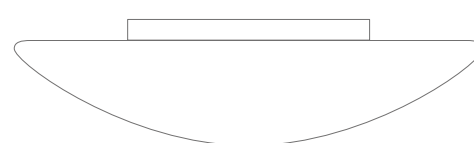
42cm  
16.54"



47cm  
18.50"



55cm  
21.65"



# JESOLO

CODE#

TYPE:

PROJECT NAME:

## C2 ELECTRONIC 37 FLUO

### Lamping

|             |                       |
|-------------|-----------------------|
| Source      | G24q-2 TC-TEL         |
| Total power | 2 x 18W               |
| Emission    | diffused              |
| Voltage     | 120V                  |
| Ip class    | 40                    |
| Materials   | polycarbonate + glass |



### Codes

JEE FWW 43

### Structure



### Diffuseur



### Package

|               |          |                     |
|---------------|----------|---------------------|
| LxPxH (base)  | 50x50x20 | (19.69x19.69x7.87") |
| Weight (base) | 5kg      | (11lbs)             |

25cm  
9.84"



30cm  
11.81"



37cm  
14.57"



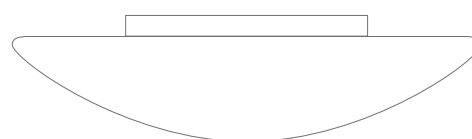
42cm  
16.54"



47cm  
18.50"



55cm  
21.65"



# JESOLO

CODE#

TYPE:

PROJECT NAME:

## C2 ELECTRONIC 42 FLUO

### Lamping

|             |                       |
|-------------|-----------------------|
| Source      | G24q-2 TC-TEL         |
| Total power | 2 x 18W               |
| Emission    | diffused              |
| Voltage     | 120V                  |
| Ip class    | 40                    |
| Materials   | polycarbonate + glass |



### Codes

JEE F8W 44

### Structure



### Diffuseur



### Package

|               |          |                      |
|---------------|----------|----------------------|
| LxPxH (base)  | 54x54x34 | (21.30x21.30x13.39") |
| Weight (base) | 6.5kg    | (14.3lbs)            |

25cm  
9.84"



30cm  
11.81"



37cm  
14.57"



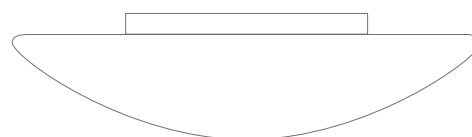
42cm  
16.54"



47cm  
18.50"



55cm  
21.65"



# JESOLO

CODE#

TYPE:

PROJECT NAME:

## C2 ELECTRONIC 47 FLUO

### Lamping

|             |                       |
|-------------|-----------------------|
| Source      | G24q-2 TC-TEL         |
| Total power | 2 x 18W               |
| Emission    | diffused              |
| Voltage     | 120V                  |
| Ip class    | 40                    |
| Materials   | polycarbonate + glass |



### Codes

JEE F8W 45

### Structure



### Diffuseur



### Package

|               |          |                      |
|---------------|----------|----------------------|
| LxPxH (base)  | 54x54x34 | (21.30x21.30x13.39") |
| Weight (base) | 6.5kg    | (14.3lbs)            |

25cm  
9.84"



30cm  
11.81"



37cm  
14.57"



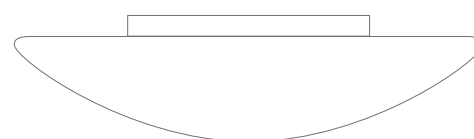
42cm  
16.54"



47cm  
18.50"



55cm  
21.65"



# JESOLO

CODE#

TYPE:

PROJECT NAME:

## C2 ELECTRONIC 55 FLUO

### Lamping

|             |                       |
|-------------|-----------------------|
| Source      | G24q-2 TC-TEL         |
| Total power | 2 x 18W               |
| Emission    | diffused              |
| Voltage     | 120V                  |
| Ip class    | 40                    |
| Materials   | polycarbonate + glass |



### Codes

JEE F8W 46

### Structure



### Diffuseur



### Package

|               |          |                     |
|---------------|----------|---------------------|
| LxPxH (base)  | 54x54x20 | (21.30x21.30x7.87") |
| Weight (base) | 6.5kg    | (14.3lbs)           |

25cm  
9.84"



30cm  
11.81"



37cm  
14.57"



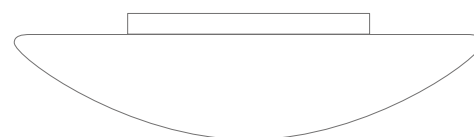
42cm  
16.54"



47cm  
18.50"



55cm  
21.65"



# JESOLO

CODE#

TYPE:

PROJECT NAME:

## C2 30 LED/HALO/FLUO

### Lamping

|             |                       |
|-------------|-----------------------|
| Source      | E27 A60               |
| Total power | 100W                  |
| Emission    | diffused              |
| Dimming     | dimmable              |
| Voltage     | 120V                  |
| Ip class    | 30D                   |
| Materials   | polycarbonate + glass |



### Codes

JE2 EWW 42

### Structure



### Diffuseur



### Package

|               |          |                     |
|---------------|----------|---------------------|
| LxPxH (base)  | 40x40x21 | (15.75x15.75x8.27") |
| Weight (base) | 2.5kg    | (5.5lbs)            |

25cm  
9.84"



30cm  
11.81"



37cm  
14.57"



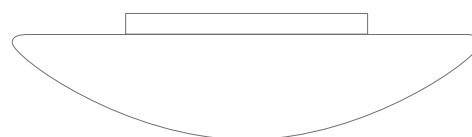
42cm  
16.54"



47cm  
18.50"



55cm  
21.65"



# JESOLO

CODE#

TYPE:

PROJECT NAME:

**C2 Ø 37 LED/HALO/FLUO**

## Lamping

|             |                       |
|-------------|-----------------------|
| Source      | E27 A60               |
| Total power | 2 x 60W               |
| Emission    | diffused              |
| Dimming     | dimmable              |
| Voltage     | 120V                  |
| Ip class    | 30D                   |
| Materials   | polycarbonate + glass |



## Codes

JE2 EWW 43

## Structure



## Diffuseur



## Package

|               |          |                      |
|---------------|----------|----------------------|
| LxPxH (base)  | 54x54x35 | (21.26x21.26x13.78") |
| Weight (base) | 4kg      | (8.8lbs)             |

25cm  
9.84"



30cm  
11.81"



37cm  
14.57"



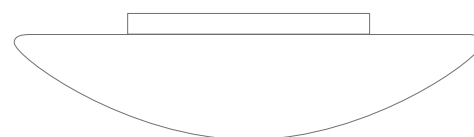
42cm  
16.54"



47cm  
18.50"



55cm  
21.65"





# JESOLO

CODE#

TYPE:

PROJECT NAME:

## C2 42 LED/HALO/FLUO

### Lamping

|             |                       |
|-------------|-----------------------|
| Source      | E27 A60               |
| Total power | 2 x 60W               |
| Emission    | diffused              |
| Dimming     | dimmable              |
| Voltage     | 120V                  |
| Ip class    | 30D                   |
| Materials   | polycarbonate + glass |



### Codes

JE2 EWW 44

### Structure



### Diffuseur



### Package

|               |          |                     |
|---------------|----------|---------------------|
| LxPxH (base)  | 47x47x18 | (18.50x18.50x7.09") |
| Weight (base) | 4.9kg    | (10.78lbs)          |

25cm  
9.84"



30cm  
11.81"



37cm  
14.57"



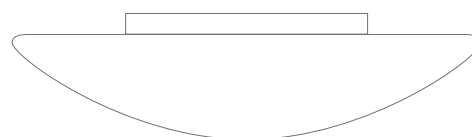
42cm  
16.54"



47cm  
18.50"



55cm  
21.65"



# JESOLO

CODE#

TYPE:

PROJECT NAME:

**C2 47 LED/HALO/FLUO**

## Lamping

|             |                       |
|-------------|-----------------------|
| Source      | E27 A60               |
| Total power | 2 x 75W               |
| Emission    | diffused              |
| Dimming     | dimnable              |
| Voltage     | 120V                  |
| Ip class    | 30D                   |
| Materials   | polycarbonate + glass |



## Codes

JE2 EWW 45

## Structure



## Diffuseur



## Package

|               |          |                     |
|---------------|----------|---------------------|
| LxPxH (base)  | 50x50x20 | (19.69x19.69x7.87") |
| Weight (base) | 5kg      | (11lbs)             |

25cm  
9.84"



30cm  
11.81"



37cm  
14.57"



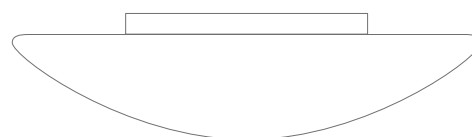
42cm  
16.54"



47cm  
18.50"



55cm  
21.65"



# JESOLO

CODE#

TYPE:

PROJECT NAME:

**C2 55 LED/HALO/FLUO**

## Lamping

|             |                       |
|-------------|-----------------------|
| Source      | E27 A60               |
| Total power | 2 x 75W               |
| Emission    | diffused              |
| Dimming     | dimnable              |
| Voltage     | 120V                  |
| Ip class    | 30D                   |
| Materials   | polycarbonate + glass |



## Codes

JE2 EWW 46

## Structure



## Diffuseur



## Package

|               |          |                      |
|---------------|----------|----------------------|
| LxPxH (base)  | 60x60x35 | (23.62x23.62x13.78") |
| Weight (base) | 7kg      | (15.4lbs)            |

25cm  
9.84"



30cm  
11.81"



37cm  
14.57"



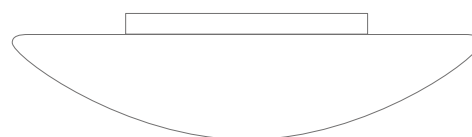
42cm  
16.54"



47cm  
18.50"



55cm  
21.65"



# JESOLO

CODE#

TYPE:

PROJECT NAME:

**37 LED**

## Lamping

|                   |               |
|-------------------|---------------|
| Source            | LED board     |
| Total power       | 20W           |
| Emission          | diffused      |
| Voltage           | 120V          |
| Color temperature | 2700K         |
| Luminous          | 2000lm        |
| Typ cri           | 92            |
| Energy class      | A+            |
| Materials         | metal + glass |



## Codes

JET LHW 44

## Structure



## Diffuseur



25cm  
9.84"



30cm  
11.81"



37cm  
14.57"



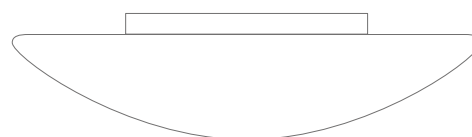
42cm  
16.54"



47cm  
18.50"



55cm  
21.65"



# JESOLO

CODE#

TYPE:

PROJECT NAME:

**30 LED**

## Lamping

|                   |               |
|-------------------|---------------|
| Source            | LED board     |
| Total power       | 10W           |
| Emission          | diffused      |
| Voltage           | 120V          |
| Color temperature | 2700K         |
| Luminous flux     | 1000lm        |
| Typ cri           | 92            |
| Energy class      | A+            |
| Materials         | metal + glass |



## Codes

JET LHW 43

## Structure



## Diffuseur



25cm  
9.84"



30cm  
11.81"



37cm  
14.57"



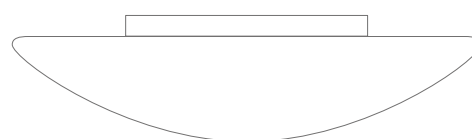
42cm  
16.54"



47cm  
18.50"



55cm  
21.65"



# JESOLO

CODE#

TYPE:

PROJECT NAME:

## PLUS 25 FLUO

### Lamping

|             |                |
|-------------|----------------|
| Source      | GX24q-2 TC-TEL |
| Total power | 18W            |
| Emission    | diffused       |
| Voltage     | 120V           |
| Ip class    | 40             |
| Materials   | metal + glass  |



### Codes

JET PHW 42

### Structure



### Diffuseur



### Package

|               |          |                     |
|---------------|----------|---------------------|
| LxPxH (base)  | 33x33x20 | (12.99x12.99x7.87") |
| Weight (base) | 2.5kg    | (5.5lbs)            |

25cm  
9.84"



30cm  
11.81"



37cm  
14.57"



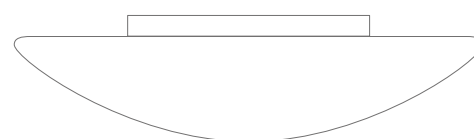
42cm  
16.54"



47cm  
18.50"



55cm  
21.65"



# JESOLO

CODE#

TYPE:

PROJECT NAME:

## PLUS 30 FLUO

### Lamping

|             |                |
|-------------|----------------|
| Source      | GX24q-2 TC-TEL |
| Total power | 18W            |
| Emission    | diffused       |
| Voltage     | 120V           |
| Ip class    | 40             |
| Materials   | metal + glass  |



### Codes

JET PHW 43

### Structure

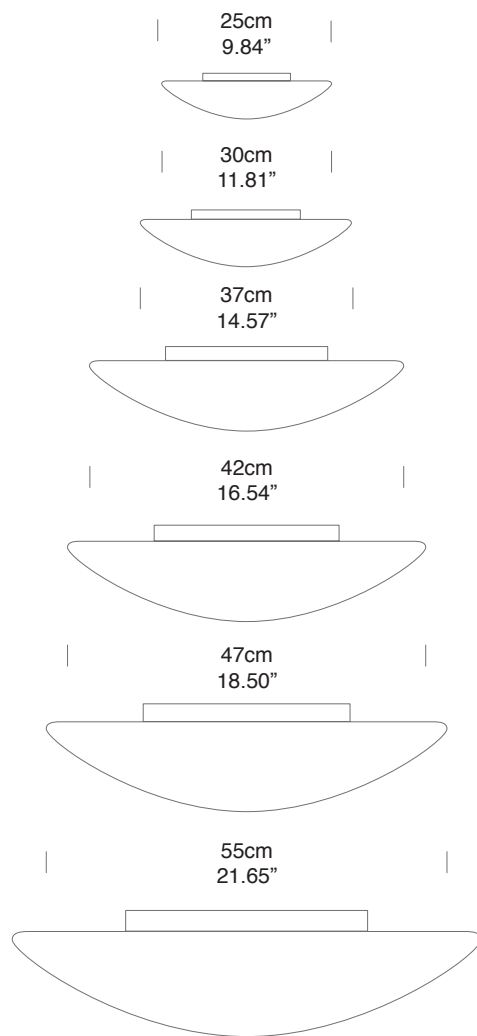


### Diffuseur



### Package

|               |          |                     |
|---------------|----------|---------------------|
| LxPxH (base)  | 38x38x21 | (14.96x14.96x8.27") |
| Weight (base) | 2.5kg    | (5.5lbs)            |



# JESOLO

CODE#

TYPE:

PROJECT NAME:

## PLUS 37 FLUO

### Lamping

|             |               |
|-------------|---------------|
| Source      | G24q-3 TC-TEL |
| Total power | 2 x 26W       |
| Emission    | diffused      |
| Voltage     | 120V          |
| Ip class    | 40            |
| Materials   | metal + glass |



### Codes

JET PHW 44

### Structure



### Diffuseur



### Package

|               |          |                      |
|---------------|----------|----------------------|
| LxPxH (base)  | 46x46x27 | (18.11x18.11x10.63") |
| Weight (base) | 3.5kg    | (7.7lbs)             |

25cm  
9.84"



30cm  
11.81"



37cm  
14.57"



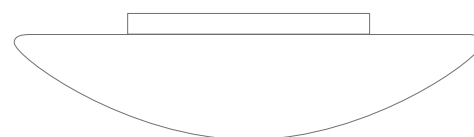
42cm  
16.54"



47cm  
18.50"



55cm  
21.65"





# JESOLO

CODE#

TYPE:

PROJECT NAME:

## PLUS 42 FLUO

### Lamping

|             |               |
|-------------|---------------|
| Source      | G24q-3 TC-TEL |
| Total power | 2 x 26W       |
| Emission    | diffused      |
| Voltage     | 120V          |
| Ip class    | 40            |
| Materials   | metal + glass |



### Codes

JET PHW 45

### Structure



### Diffuseur



### Package

|               |          |                      |
|---------------|----------|----------------------|
| LxPxH (base)  | 51x51x27 | (20.98x20.98x10.63") |
| Weight (base) | 5.7kg    | (12.54lbs)           |

25cm  
9.84"



30cm  
11.81"



37cm  
14.57"



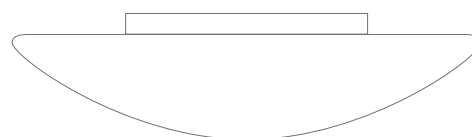
42cm  
16.54"



47cm  
18.50"



55cm  
21.65"



# JESOLO

CODE#

TYPE:

PROJECT NAME:

## PLUS 47 FLUO

### Lamping

|             |               |
|-------------|---------------|
| Source      | G24q-3 TC-TEL |
| Total power | 2 x 26W       |
| Emission    | diffused      |
| Voltage     | 120V          |
| Ip class    | 40            |
| Materials   | metal + glass |



### Codes

JET PHW 47

### Structure



### Diffuseur



### Package

|               |          |                      |
|---------------|----------|----------------------|
| LxPxH (base)  | 55x55x27 | (21.65x21.65x10.63") |
| Weight (base) | 7.4kg    | (16.28lbs)           |

25cm  
9.84"



30cm  
11.81"



37cm  
14.57"



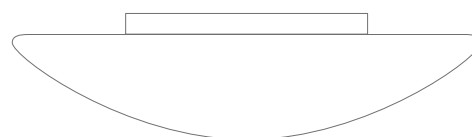
42cm  
16.54"



47cm  
18.50"



55cm  
21.65"



SPECIFICATION SHEET

# JESOLO

CODE#

TYPE:

PROJECT NAME:

## PLUS 55 FLUO

### Lamping

|             |               |
|-------------|---------------|
| Source      | G24q-3 TC-TEL |
| Total power | 2 x 26W       |
| Emission    | diffused      |
| Voltage     | 120V          |
| Ip class    | 40            |
| Materials   | metal + glass |



### Codes

JET PHW 49

### Structure



### Diffuseur



### Package

|               |          |                      |
|---------------|----------|----------------------|
| LxPxH (base)  | 63x63x29 | (24.80x24.80x11.42") |
| Weight (base) | 9.4kg    | (20.68lbs)           |

25cm  
9.84"



30cm  
11.81"



37cm  
14.57"



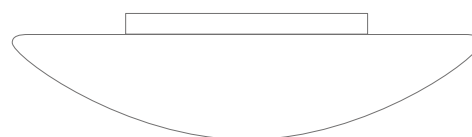
42cm  
16.54"



47cm  
18.50"



55cm  
21.65"



# JESOLO

CODE#

TYPE:

PROJECT NAME:

## TWIST 25 FLUO/LED/HALO

### Lamping

|             |               |
|-------------|---------------|
| Source      | E27 A60       |
| Total power | 60 / 11W      |
| Emission    | diffused      |
| Dimming     | dimnable      |
| Voltage     | 120V          |
| Ip class    | 40            |
| Materials   | metal + glass |



### Codes

JET EHW 42

### Structure

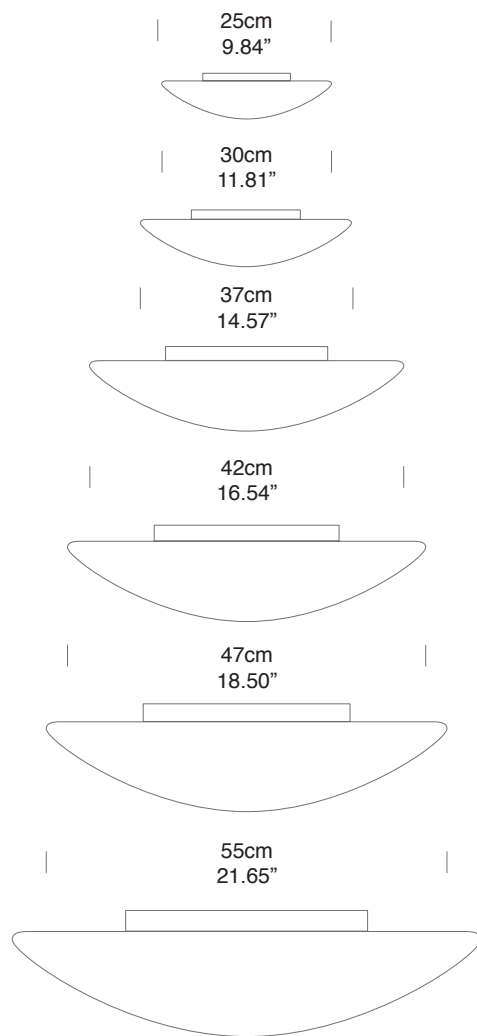


### Diffuseur



### Package

|               |          |                     |
|---------------|----------|---------------------|
| LxPxH (base)  | 33x33x20 | (12.99x12.99x7.87") |
| Weight (base) | 1.7kg    | (3.74lbs)           |



# JESOLO

CODE#

TYPE:

PROJECT NAME:

## TWIST 30 FLUO/LED/HALO

### Lamping

|             |               |
|-------------|---------------|
| Source      | E27 A60       |
| Total power | 100 / 15W     |
| Emission    | diffused      |
| Dimming     | dimmable      |
| Voltage     | 120V          |
| Ip class    | 40            |
| Materials   | metal + glass |



### Codes

JET EHW 43

### Structure

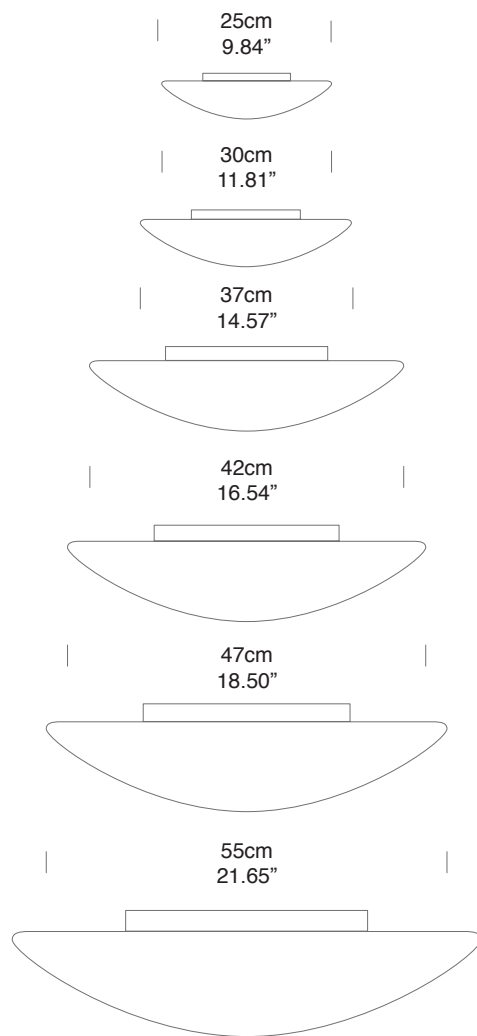


### Diffuseur



### Package

|               |          |                     |
|---------------|----------|---------------------|
| LxPxH (base)  | 38x38x21 | (14.96x14.96x8.27") |
| Weight (base) | 2.4kg    | (5.28lbs)           |



# JESOLO

CODE#

TYPE:

PROJECT NAME:

## TWIST 37 FLUO/LED/HALO

### Lamping

|             |               |
|-------------|---------------|
| Source      | E27 A60       |
| Total power | 2 x 60 / 20W  |
| Emission    | diffused      |
| Dimming     | dimmable      |
| Voltage     | 120V          |
| Ip class    | 40            |
| Materials   | metal + glass |



### Codes

JET EHW 44

### Structure



### Diffuseur



### Package

|               |          |                      |
|---------------|----------|----------------------|
| LxPxH (base)  | 46x46x27 | (18.11x18.11x10.63") |
| Weight (base) | 3.7kg    | (8.14lbs)            |

25cm  
9.84"



30cm  
11.81"



37cm  
14.57"



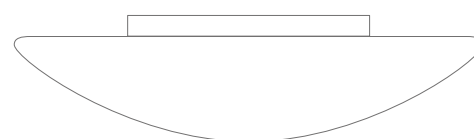
42cm  
16.54"



47cm  
18.50"



55cm  
21.65"



# JESOLO

CODE#

TYPE:

PROJECT NAME:

## TWIST 42 FLUO/LED/HALO

### Lamping

|             |               |
|-------------|---------------|
| Source      | E27 A60       |
| Total power | 2 x 60 / 20W  |
| Emission    | diffused      |
| Dimming     | dimnable      |
| Voltage     | 120V          |
| Ip class    | 40            |
| Materials   | metal + glass |



### Codes

JET EHW 45

### Structure



### Diffuseur



### Package

|               |          |                      |
|---------------|----------|----------------------|
| LxPxH (base)  | 51x51x27 | (20.08x20.08x10.63") |
| Weight (base) | 5.5kg    | (12.1lbs)            |

25cm  
9.84"



30cm  
11.81"



37cm  
14.57"



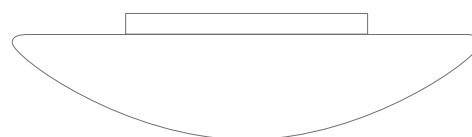
42cm  
16.54"



47cm  
18.50"



55cm  
21.65"



# JESOLO

CODE#

TYPE:

PROJECT NAME:

## TWIST 47 FLUO/LED/HALO 2x75/20W

### Lamping

|             |               |
|-------------|---------------|
| Source      | E27 A60       |
| Total power | 2 x 75 / 20W  |
| Emission    | diffused      |
| Dimming     | dimmable      |
| Voltage     | 120V          |
| Ip class    | 40            |
| Materials   | metal + glass |



### Codes

JET EHW 47

### Structure

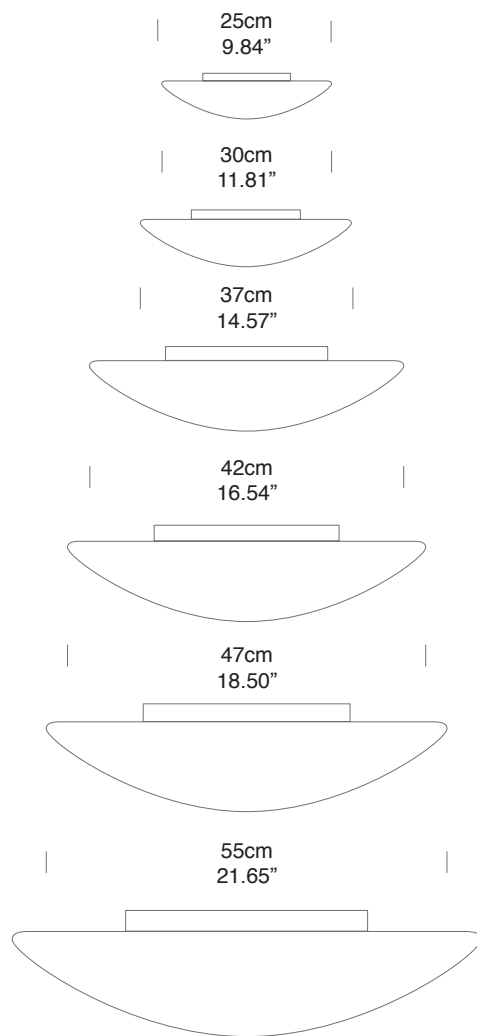


### Diffuseur



### Package

|               |          |                      |
|---------------|----------|----------------------|
| LxPxH (base)  | 55x55x27 | (21.65x21.65x10.63") |
| Weight (base) | 7kg      | (15.4lbs)            |





# JESOLO

CODE#

TYPE:

PROJECT NAME:

## TWIST 47 FLUO/LED/HALO 3x60/20W

### Lamping

|             |               |
|-------------|---------------|
| Source      | E27 A60       |
| Total power | 3 x 60 / 20W  |
| Emission    | diffused      |
| Dimming     | dimmable      |
| Voltage     | 120V          |
| Ip class    | 40            |
| Materials   | metal + glass |



### Codes

JET EHW 48

### Structure



### Diffuseur



### Package

|               |          |                      |
|---------------|----------|----------------------|
| LxPxH (base)  | 55x55x27 | (21.65x21.65x10.63") |
| Weight (base) | 7kg      | (15.4lbs)            |

25cm  
9.84"



30cm  
11.81"



37cm  
14.57"



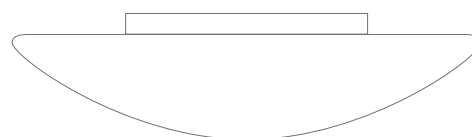
42cm  
16.54"



47cm  
18.50"



55cm  
21.65"



# JESOLO

CODE#

TYPE:

PROJECT NAME:

## TWIST 55 FLUO/LED/HALO

### Lamping

|             |               |
|-------------|---------------|
| Source      | E27 A60       |
| Total power | 3 x 60 / 20W  |
| Emission    | diffused      |
| Dimming     | dimnable      |
| Voltage     | 120V          |
| Ip class    | 40            |
| Materials   | metal + glass |



### Codes

JET EHW 49

### Structure



### Diffuseur



### Package

|               |          |                      |
|---------------|----------|----------------------|
| LxPxH (base)  | 63x63x29 | (24.80x24.80x11.42") |
| Weight (base) | 8.4kg    | (18.48lbs)           |

