

ISI 12x12

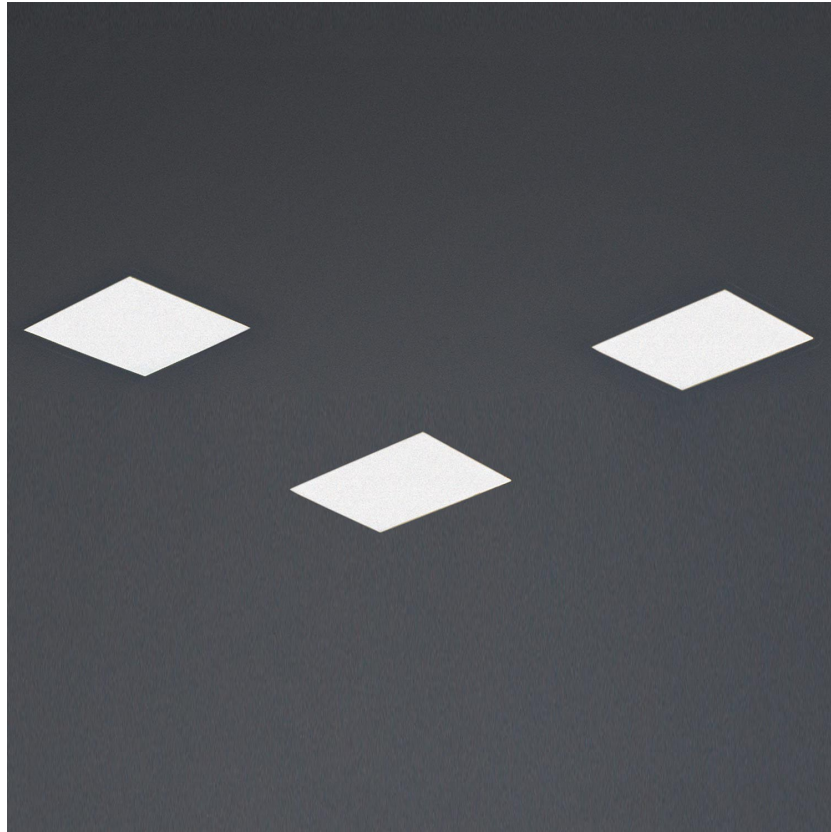
Giancarlo Tintori

CODE#

TYPE:

PROJECT NAME:

Family of no trim LED and fluorescent recessed downlights fixtures for diffused lighting. Matt white powder-coated aluminium structure with opal polycarbonate.



SPECIFICATION SHEET

Luminart[®]

WWW.LUMINARTLIGHTING.COM

ISI 12x12

Giancarlo Tintori

CODE#

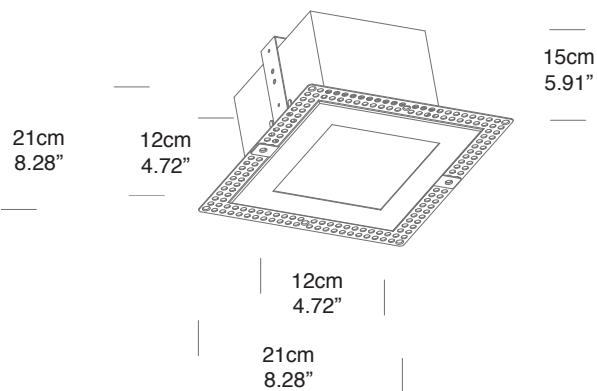
TYPE:

PROJECT NAME:

LED

Lamping

Source	LED board
Total power	16W
Emission	diffused
Dimming	Triac
Voltage	120V
Luminous flux	2460lm
Typ cri	80
Energy class	A+
Dimensions	210x210x150
Materials	Aluminium/plexiglass opal



Codes

ISI LWW 61

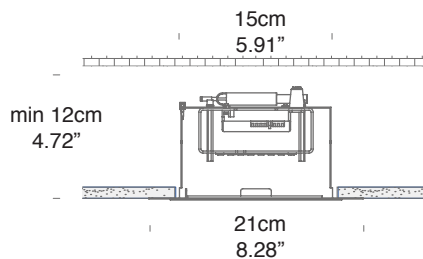
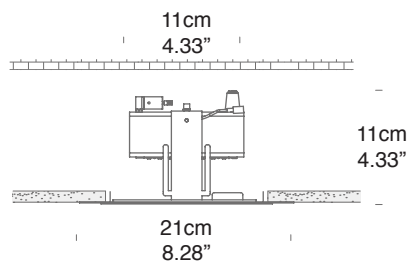
Structure



Diffuseur

Package

LxPxH (base)	28x28x20	(11.02x11.02x7.87")
Weight (base)	3kg	(6.6lbs)



SPECIFICATION SHEET

Luminart®

WWW.LUMINARTLIGHTING.COM