

FLACA

Roberto Paoli

CODE#

TYPE:

PROJECT NAME:

Wall lamp, double output for a flood uplight and downlight. Die-casted aluminium, with sandblasted Pyrex diffuser or opal metacrylate for the LED version. Body painted in matt white, moka, champagne or anthracite. Suitable for installation on inflammable surfaces. Dimmable.



SPECIFICATION SHEET

FLACA

Roberto Paoli

CODE#

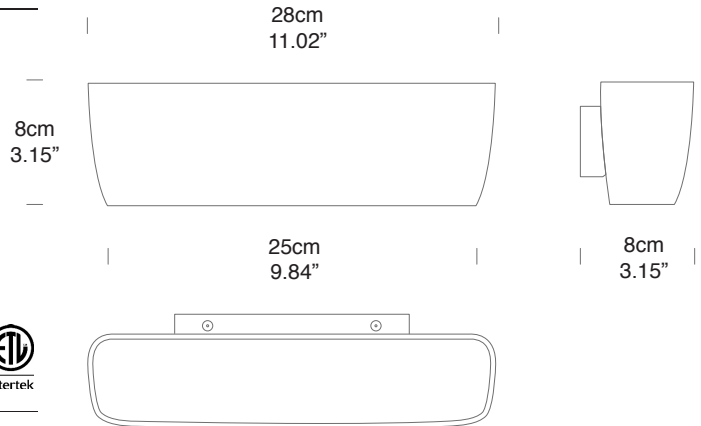
TYPE:

PROJECT NAME:

HALO

Lamping

Source	R7s QT-DE (114mm)
Total power	160W
Emission	up + down
Dimming	dimmable
Voltage	120V
Ip class	20
Materials	aluminium + glass



Codes

L10FLA HWW 31
L10FLA HXW 31
L10FLA HBW 31
L10FEF HDW 31

Structure



Diffuseur

Package

LxPxH (base)	20x11x40	(7.87x4.33x15.75")
Weight (base)	2.5kg	(5.5lbs)

FLACA

Roberto Paoli

CODE#

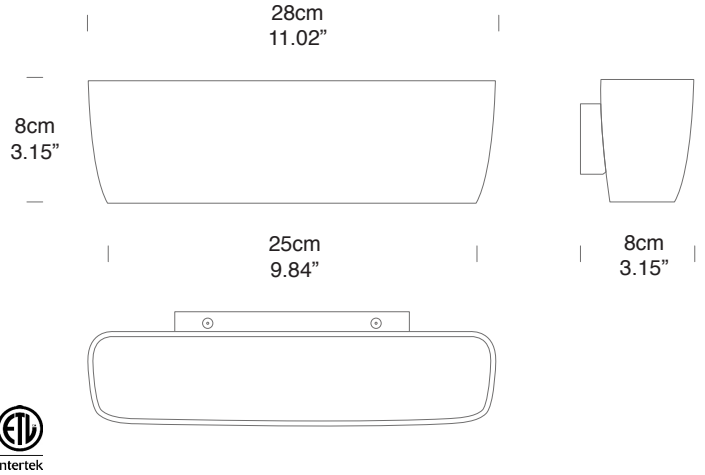
TYPE:

PROJECT NAME:

LED

Lamping

Source	2 x LED board
Total power	30W
Emission	up + down
Dimming	Triac
Voltage	120V
Color temperature	3000K
Luminous flux	2000lm + 1000lm
Typ cri	92
Energy class	A+
Materials	aluminium + methacrylate



Codes

L10FLA LWW 32
L10FLA LXW 32
L10FLA LBW 32
L10FLA LDW 32

Structure

anthracite

Diffuseur

Package

LxPxH (base)	20x11x40	(7.87x4.33x15.75")
Weight (base)	2.5kg	(5.5lbs)