

ARA FLOOR

Ilaria Marelli

CODE#

TYPE:

PROJECT NAME:

Floor lamp, with fluorescent, LED and halogen sources depending on the version. It is composed by two elements in extruded aluminium: depending on versions, body is painted in white, anthracite, champagne and moka, while the main body can be brushed or painted white or anthracite. The LED or halogen upright source is integrated in the body and it creates a widespread light, while a fluorescent or LED source is integrated in the main body for a widespread and adjustable light. Double switch dimmer on the cable.



SPECIFICATION SHEET

Luminart®

WWW.LUMINARTLIGHTING.COM

ARA FLOOR

Ilaria Marelli

CODE#

TYPE:

PROJECT NAME:

HALO+FLUO

Lamping

Source	R7s QT-DE (114mm) + G5 T16 (FH-HO)
Total power	300W + 80W
Emission	up and vertical, indirect
Dimming	non-dimmable
Voltage	120V
Materials	aluminium + PMMA

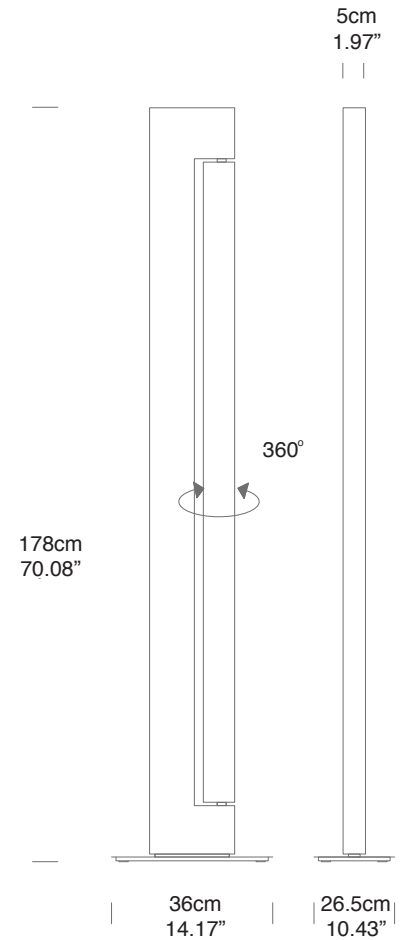
Codes

	Structure	Diffuseur
L10ARA KDL 2A	champagne/polished	
L10ARA KWL 2A	white/polished	
L10ARA KWW 2A	white/white	
L10ARA KXX 2A	anthracite/anthracite	
L10ARA KXL 2A	anthracite/polished	
L10ARA KML 2A	moka/polished	



Package

LxPxH (parcel)	13x40x50	(5.12x15.75x19.69")
Weight	12.3kg	(27.06lbs)
LxPxH (parcel 2)	31x17x190	(12.20x6.69x74.80")
Weight	10.5kg	(23.1lbs)



ARA FLOOR

Ilaria Marelli

CODE#

TYPE:

PROJECT NAME:

MK3 HALO+FLUO

Lamping

Source	R7s QT-DE (114mm) + G5 T16 (FH-HO)
Total power	300W + 80W
Emission	up and vertical, indirect
Dimming	non-dimmable
Voltage	120V
Materials	aluminium + PMMA

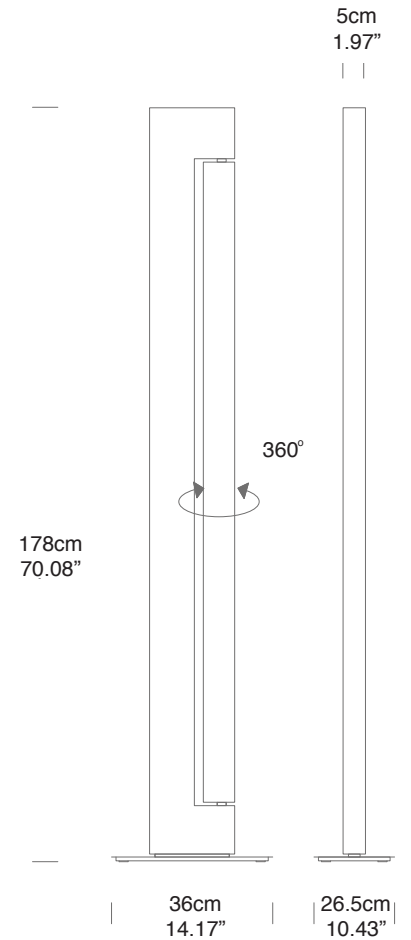
Codes

	Structure	Diffuseur
L10ARA KXX 2B	anthracite/anthracite	
L10ARA KWL 2B	white/polished	
L10ARA KDL 2B	champagne/polished	
L10ARA KXL 2B	anthracite/polished	
L10ARA KML 2B	moka/polished	
L10ARA KW 2	white/white	



Package

LxPxH (parcel)	13x40x50	(5.12x15.75x19.69")
Weight	12.3kg	(27.06lbs)
LxPxH (parcel 2)	31x17x190	(12.20x6.69x74.80")
Weight	10.5kg	(23.1lbs)



ARA FLOOR

Ilaria Marelli

CODE#

TYPE:

PROJECT NAME:

MK3 LED+LED

Lamping

Source	LED board + linear LED
Total power	23W + 40W
Emission	up and vertical, indirect
Dimming	non-dimmable
Voltage	120V
Color temperature	2700K/3000K
Luminous flux	2850lm + 5200lm
Typ cri	83
Energy class	A+
Materials	aluminium + PMMA

Codes

L10ARA TWW 2B
L10ARA TWL 2B
L10ARA TXL 2B
L10ARA TDL 2B
L10ARA TXX 2B
L10ARA TML 2B

Structure

white/white

white/polished

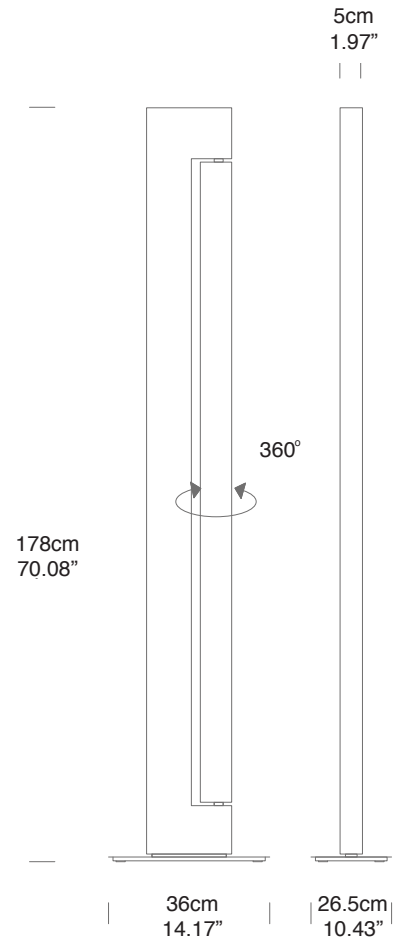
anthracite/polished

champagne/polished

anthracite/anthracite

moka/polished

Diffuseur



Package

LxPxH (parcel)	13x40x50	(5.12x15.75x19.69")
Weight	12.3kg	(27.06lbs)
LxPxH (parcel 2)	31x17x190	(12.20x6.69x74.80")
Weight	10.5kg	(23.1lbs)

SPECIFICATION SHEET

Luminart[®]

WWW.LUMINARTLIGHTING.COM